

LED 路灯规格书

LED Street Light Datasheet

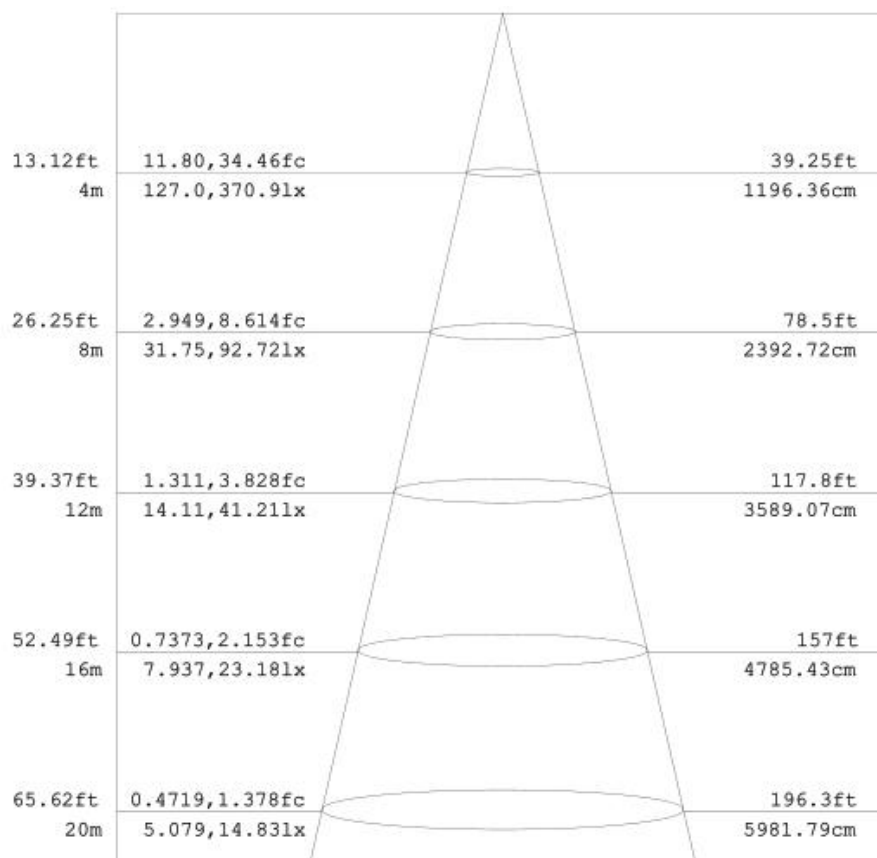


| | |
|-------------------|---------------|
| PRODUCT NAME 产品名称 | 150W 路灯 |
| PRODUCT NO 产品型号 | BJH-SL-150W-A |

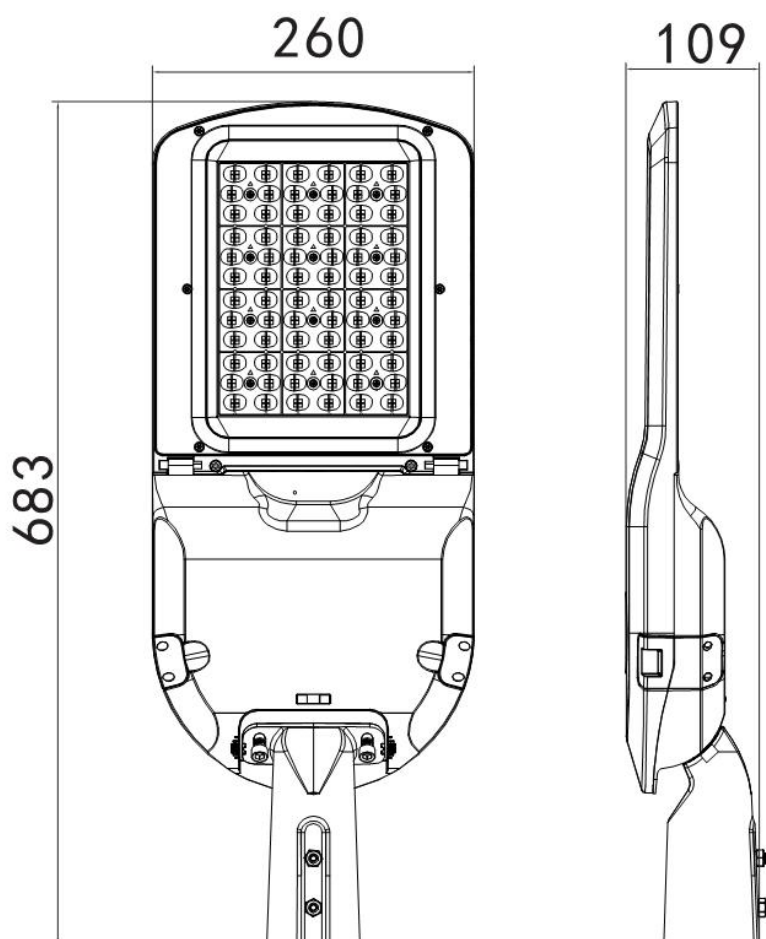
产品规格 (Product Spec) : BJH-SL-150W-A

| 电气特性 (Electrical Characteristics) | | 光学特性(Optical Properties) | | |
|--|--------------------------------------|--------------------------|-----------------------------------|-------|
| 电源 Power Supply | Normal / MEAN WELL | 光源 LED Type | Epistar/ OSRAM /LUMILEDS 3030 | |
| 输入电压 Input Voltage | AC100-305V /50-60Hz | 光源数量 LED Q' ty | 192 pcs | |
| 额定功率 Rated Power | 150W | 流明值 Lumen | 19500LM±5% | |
| 功率因素 Power Factor | 0.97 | 显色指数 CRI | 80 Ra | |
| 防护等级 Waterproof | IP66 | 发光角度 Beam Angle | T2M/T3M/T4M | |
| 使用寿命 Life Time | ≥50000H | 色温 CCT | warm white | 3000K |
| | | | | 4000K |
| | | | Natural white | 5000K |
| | | | Pure white | 5700K |
| | | | 6500K | |
| 产品材质 (Product Material) | | | | |
| 电源线 Power Wire | 外壳材质 Body material | | 电气安全等级 Electronic safety grade | |
| 3*0.75mm²0.5M 橡胶线 (Rubber cable L=0.5M) | 铝 + PC + 玻璃 Aluminum + PC + Glass | | I类 (class) | |
| 工作温度 Working Temperature | | -30~ +60°C | | |
| LED 结温 LED Junction Temperature | | ≤80°C | | |
| 安全要求 Security Requirement | | CE | | |
| 环保指令 Environmental Directives | | ROHS | | |
| 产品尺寸 Product Dimension | | 683*260*109mm | | |
| 净重 N.W | | 5.6KG | | |
| 灯杆安装孔径 Light pole installation aperture | | Ø40mm / Ø50mm / Ø60mm | | |

灯具照度 (Lamp illumination) :



灯具尺寸 (Lamp Size) :



包装 (Package) :

外箱尺寸 (Packing Box) : 74*32*15CM

材质 Material : K=K

装箱数量 (QTY) : 1 PCS/CTN

重量 (G.W) : 6.5 KG